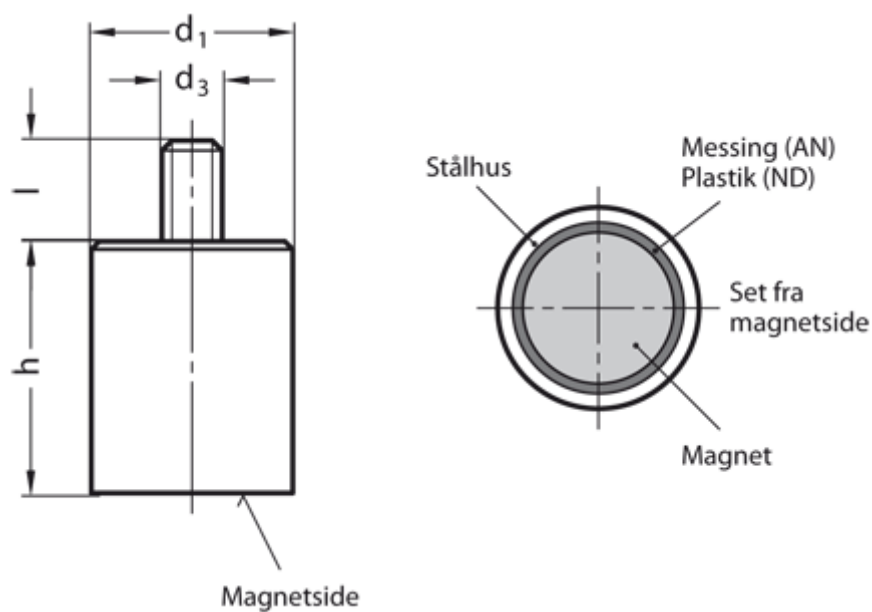


Article number: 201241386A

Description: E+G Retaining magnets with threaded stud GN 52.4-AN-10-M4-E
Alu, Nickel, Cobalt - 450° C, 8,5N

Measures



d1 = 10

d3 = M4

h = 20 ±0,2

Holding force N = 8.5

l = 8

Material = AN Alu, nickel, cobalt, 450°C